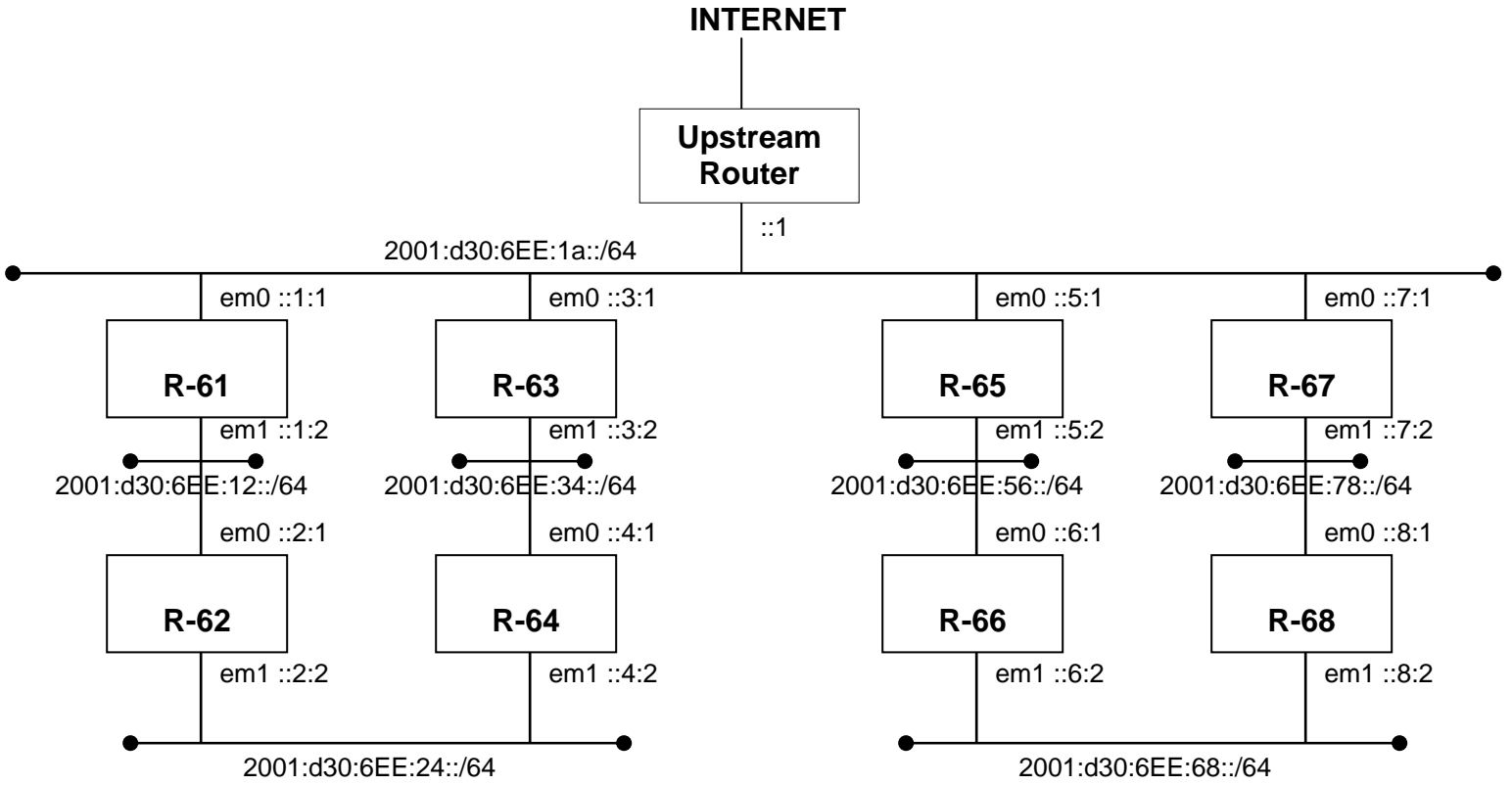


SOI Asia Operator Workshop 2008

Information for lab exercise

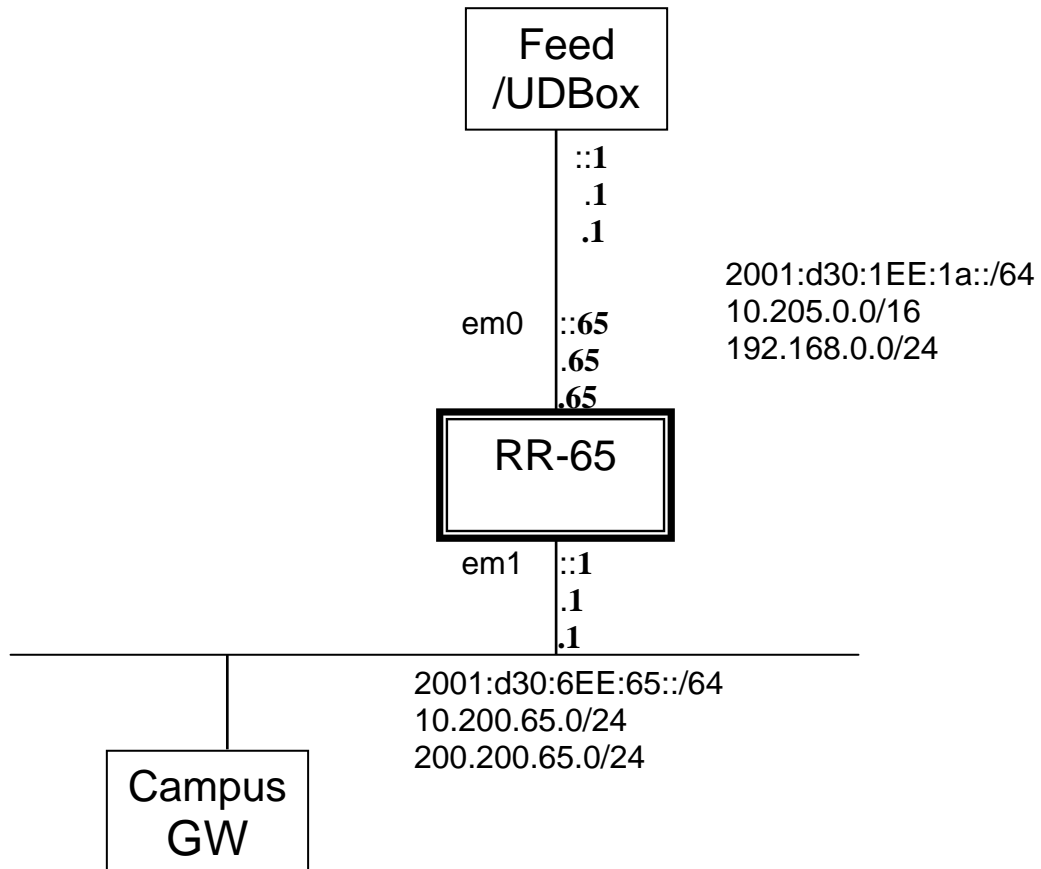
Participant name	Dy Rado/UHSC
Participant ID	65
Group Number	6
STARBED gate Login information	Hostname: starbed-gate.ai3.net IPv6 address: 2001:200:142:0:211:25ff:fe1e:5c33 Username: soi65 Password: U4ds
LAB host Login information	Hostname: starbed-65 Username: soi Password : soiasia
IRC channel for General discussion	#soi-asia
IRC channel for Group discussion	#soi-ws-group6
Workshop URL	http://www.soi.wide.ad.jp/soi-asia/ow/2008-spring/
LivePresenter URL	http://sfc-cpu.ai3.net/~husni/LivePresenter/index.php
LiveTTY URL	http://sfc-ws2008.ai3.net/livetty
Progress Tracking URL	http://sfc-ws2008.ai3.net/ws2008/

Network Topology for IPv6 Internetworking Lab (31 March – 1 April, 2008)



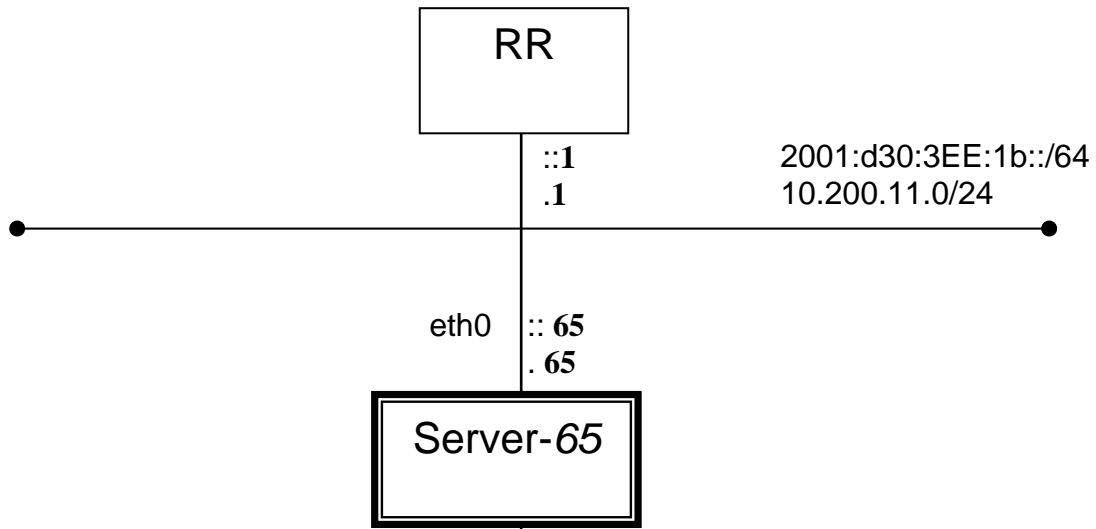
Participant ID	65			
Your Machine	R-65			
em0 interface	IPv6 Address	2001:d30:6EE:1a::5:1	Prefix Len	64
em1 interface	IPv6 Address	2001:d30:6EE:56::5:3	Prefix Len	64
OSPFv3 router id	10.205.0.65			

Network Topology for SOI Asia Network Lab (2 April 2008)



Participant ID	65			
Your Machine	RR-65			
Hostname	65-rr.ai3.net			
em0 interface	IPv6 Address	2001:d30:1EE:1a::65	Prefix Len	64
	IPv4 Address	10.205.0.65	Netmask	255.255.0.0
	IPv4 Address Alias0	192.168.0.65	Netmask	255.255.255.0
em1 interface	IPv6 Address	2001:d30:6EE:65::1	Prefix Len	64
	IPv4 Address	10.200.65.1	Netmask	255.255.255.0
	IPv4 Address Alias 0	200.200.65.1	Netmask	255.255.255.0
Campus GW	200.200.65.200			
OSPFv3 router id	10.205.0.65			

Network Topology for SOI Asia Server Lab (3 April 2008)



Participant ID	65			
Your Machine	Server-65			
Hostname	ow2008-soi-65.ai3.net			
eth0 interface	IPv6 Address	2001:d30:3EE:1b::65	Prefix Len	64
	IPv4 Address	10.200.11.65	Netmask	255.255.255.0
Gateway IPv6(RR_)	2001:d30:3EE:1b::1			