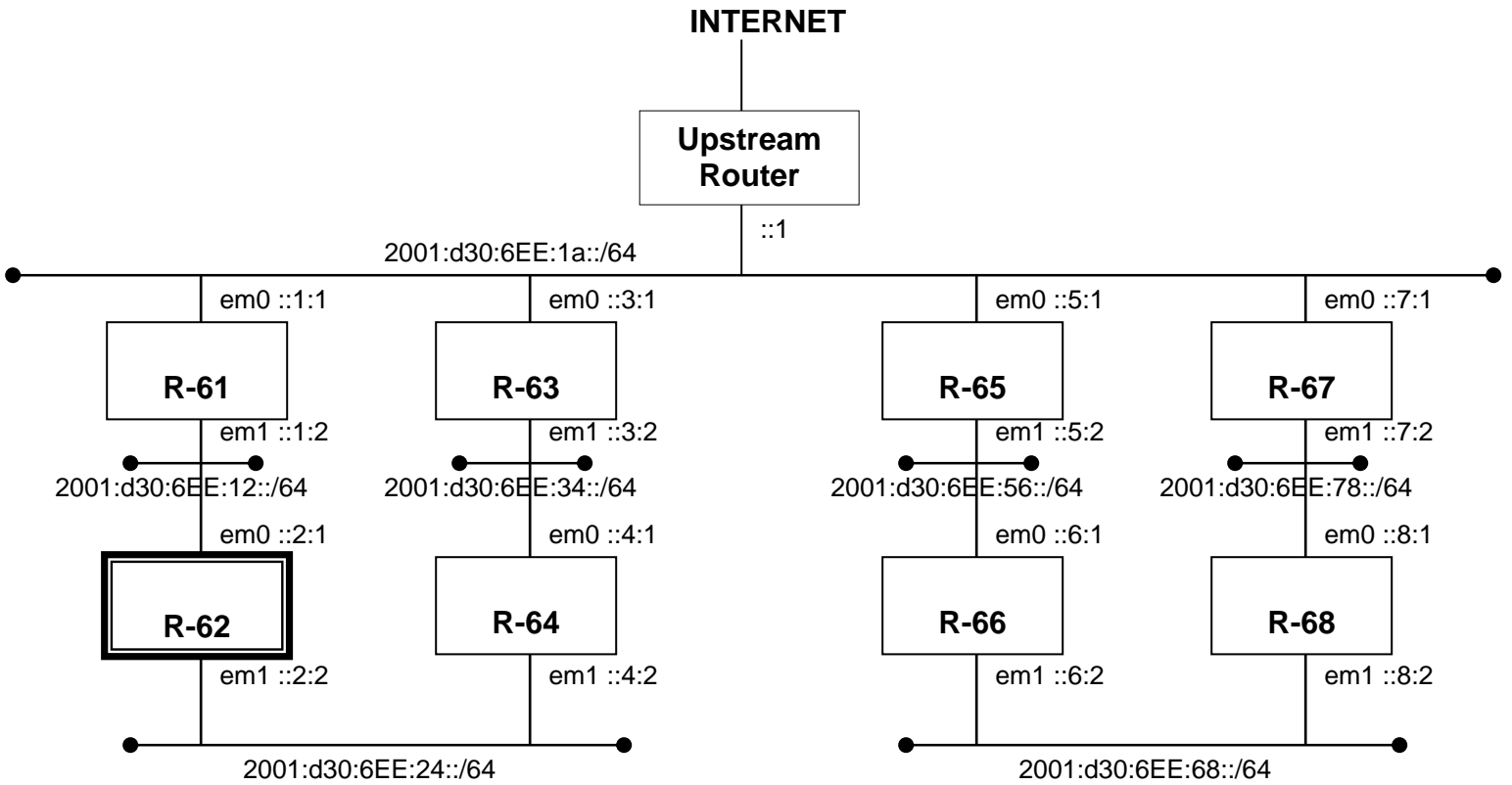


SOI Asia Operator Workshop 2008

Information for lab exercise

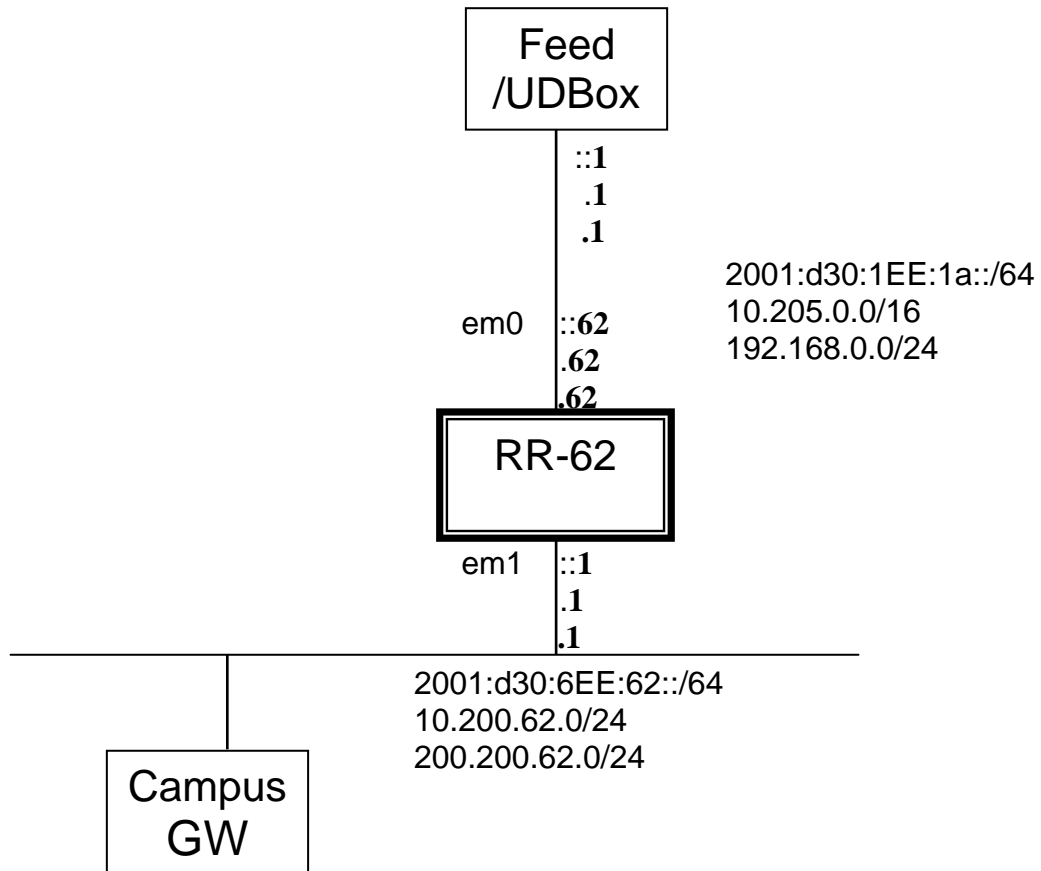
Participant name	Sary D. E. Paturusi/UNSRAT
Participant ID	62
Group Number	6
STARBED gate Login information	Hostname: starbed-gate.ai3.net IPv6 address: 2001:200:142:0:211:25ff:fe1e:5c33 Username: soi62 Password: R9hg
LAB host Login information	Hostname: starbed-62 Username: soi Password : soiasia
IRC channel for General discussion	#soi-asia
IRC channel for Group discussion	#soi-ws-group6
Workshop URL	http://www.soi.wide.ad.jp/soi-asia/ow/2008-spring/
LivePresenter URL	http://sfc-cpu.ai3.net/~husni/LivePresenter/index.php
LiveTTY URL	http://sfc-ws2008.ai3.net/livetty
Progress Tracking URL	http://sfc-ws2008.ai3.net/ws2008/

Network Topology for IPv6 Internetworking Lab (31 March – 1 April, 2008)



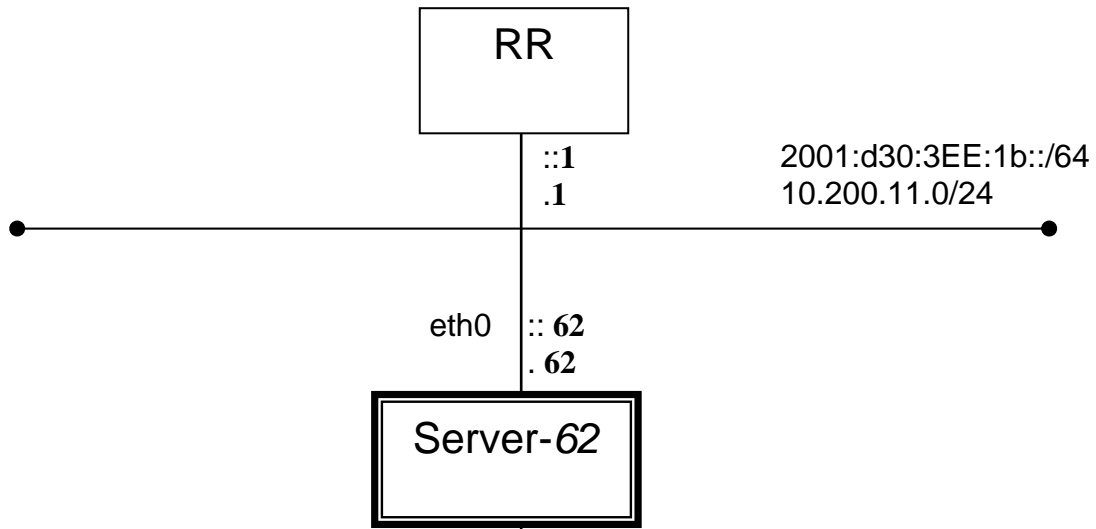
Participant ID	62			
Your Machine	R-62			
em0 interface	IPv6 Address	2001:d30:6EE:12::2:1	Prefix Len	64
em1 interface	IPv6 Address	2001:d30:6EE:24::2:2	Prefix Len	64
OSPFv3 router id	10.205.0.62			

Network Topology for SOI Asia Network Lab (2 April 2008)



Participant ID	62			
Your Machine	RR-62			
Hostname	62-rr.ai3.net			
em0 interface	IPv6 Address	2001:d30:1EE:1a::62	Prefix Len	64
	IPv4 Address	10.205.0.62	Netmask	255.255.0.0
	IPv4 Address Alias0	192.168.0.62	Netmask	255.255.255.0
em1 interface	IPv6 Address	2001:d30:6EE:62::1	Prefix Len	64
	IPv4 Address	10.200.62.1	Netmask	255.255.255.0
	IPv4 Address Alias 0	200.200.62.1	Netmask	255.255.255.0
Campus GW	200.200.62.200			
OSPFv3 router id	10.205.0.62			

Network Topology for SOI Asia Server Lab (3 April 2008)



Participant ID	62		
Your Machine	Server-62		
Hostname	ow2008-soi-62.ai3.net		
eth0 interface	IPv6 Address	2001:d30:3EE:1b::62	Prefix Len 64
	IPv4 Address	10.200.11.62	Netmask 255.255.255.0
Gateway IPv6(RR_)	2001:d30:3EE:1b::1		