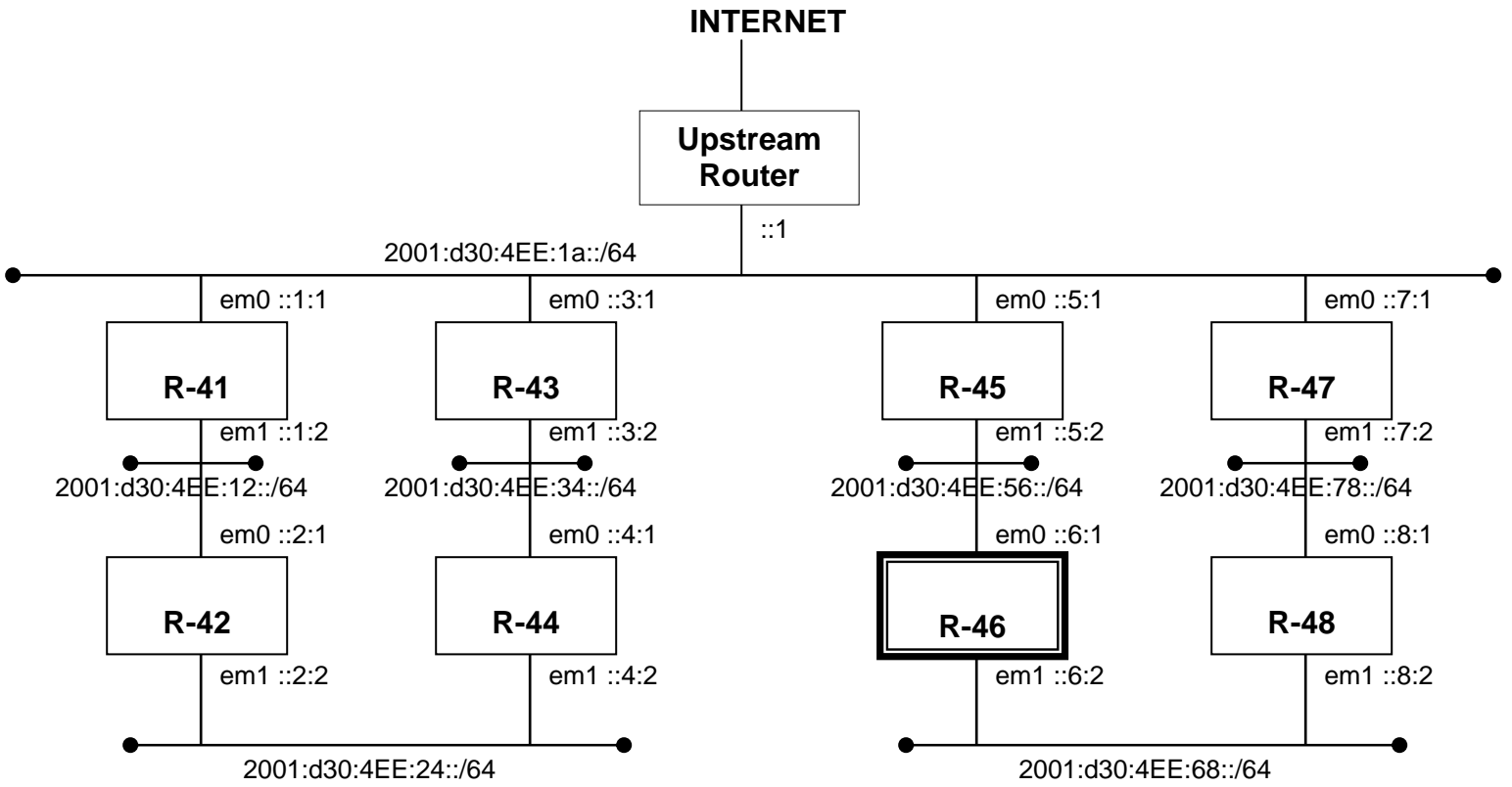


## SOI Asia Operator Workshop 2008

*Information for lab exercise*

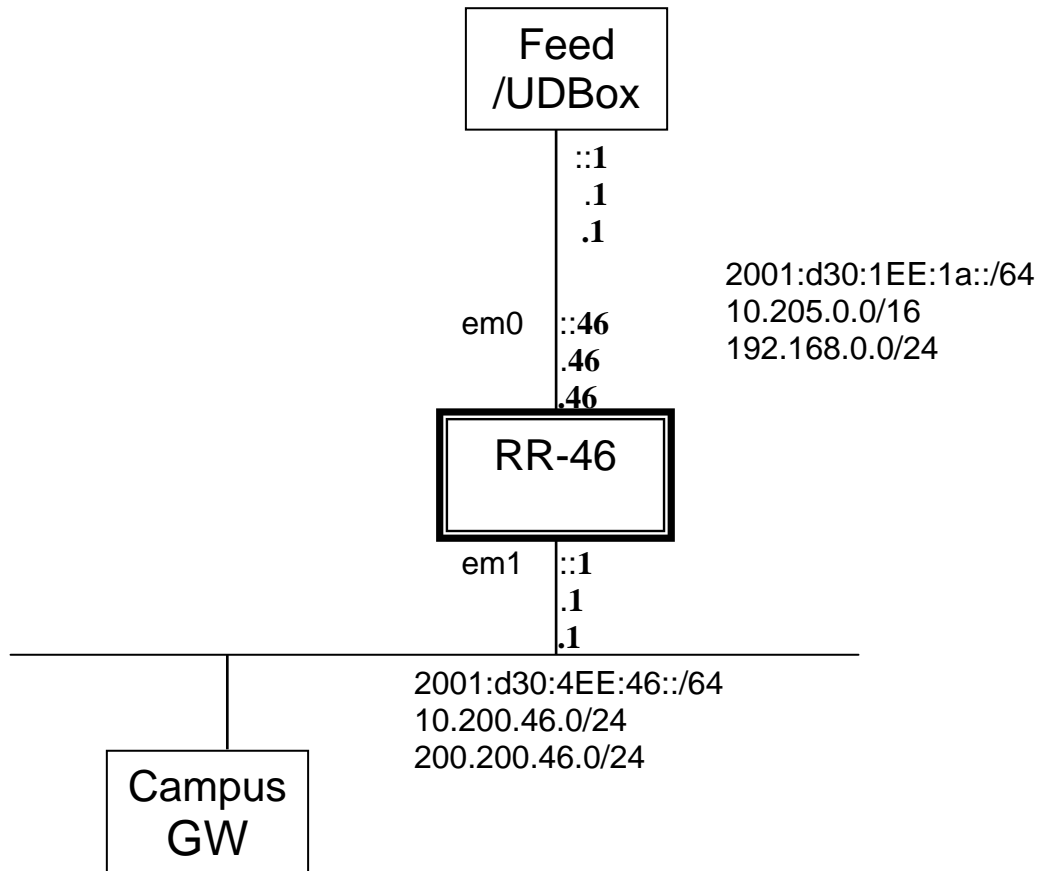
<b>Participant name</b>	DANU BUDI WISUDANA PRABA/UNIBRAW
<b>Participant ID</b>	46
<b>Group Number</b>	4
<b>STARBED gate Login information</b>	Hostname: starbed-gate.ai3.net IPv6 address: 2001:200:142:0:211:25ff:fe1e:5c33 Username: soi46 Password: F7vb
<b>LAB host Login information</b>	Hostname: starbed-46 Username: soi Password : soiasia
<b>IRC channel for General discussion</b>	#soi-asia
<b>IRC channel for Group discussion</b>	#soi-ws-group4
<b>Workshop URL</b>	<a href="http://www.soi.wide.ad.jp/soi-asia/ow/2008-spring/">http://www.soi.wide.ad.jp/soi-asia/ow/2008-spring/</a>
<b>LivePresenter URL</b>	<a href="http://sfc-cpu.ai3.net/~husni/LivePresenter/index.php">http://sfc-cpu.ai3.net/~husni/LivePresenter/index.php</a>
<b>LiveTTY URL</b>	<a href="http://sfc-ws2008.ai3.net/livetty">http://sfc-ws2008.ai3.net/livetty</a>
<b>Progress Tracking URL</b>	<a href="http://sfc-ws2008.ai3.net/ws2008/">http://sfc-ws2008.ai3.net/ws2008/</a>

Network Topology for IPv6 Internetworking Lab ( 31 March – 1 April, 2008)



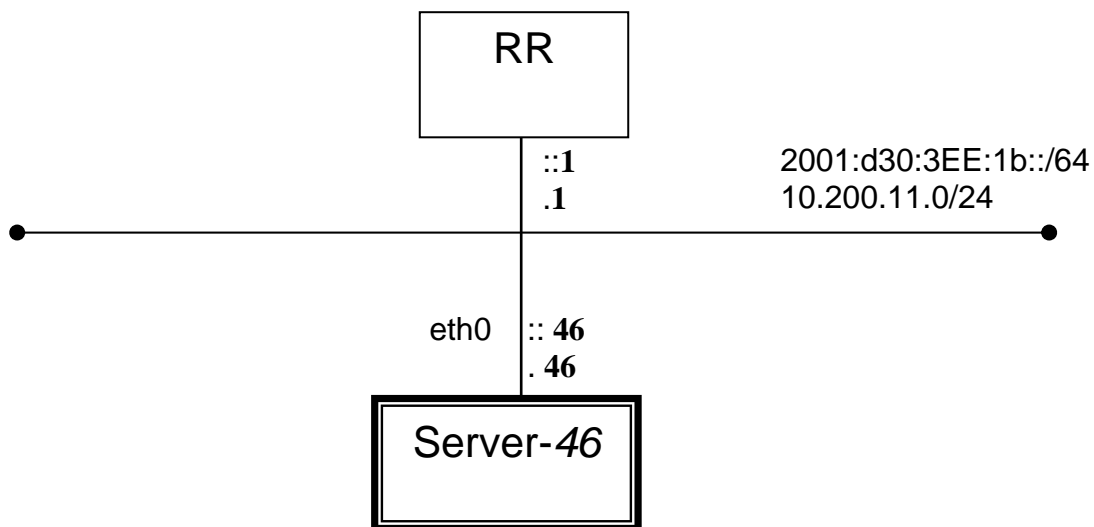
<b>Participant ID</b>	<b>46</b>			
<b>Your Machine</b>	R-46			
<b>em0 interface</b>	<b>IPv6 Address</b>	2001:d30:4EE:56::6:1	<b>Prefix Len</b>	64
<b>em1 interface</b>	<b>IPv6 Address</b>	2001:d30:4EE:68::6:2	<b>Prefix Len</b>	64
<b>OSPFv3 router id</b>	10.205.0.46			

Network Topology for SOI Asia Network Lab ( 2 April 2008)



<b>Participant ID</b>	46			
<b>Your Machine</b>	RR-46			
<b>Hostname</b>	46-rr.ai3.net			
<b>em0 interface</b>	<b>IPv6 Address</b>	2001:d30:1EE:1a::46	<b>Prefix Len</b>	64
	<b>IPv4 Address</b>	10.205.0.46	<b>Netmask</b>	255.255.0.0
	<b>IPv4 Address Alias0</b>	192.168.0.46	<b>Netmask</b>	255.255.255.0
<b>em1 interface</b>	<b>IPv6 Address</b>	2001:d30:4EE:46::1	<b>Prefix Len</b>	64
	<b>IPv4 Address</b>	10.200.46.1	<b>Netmask</b>	255.255.255.0
	<b>IPv4 Address Alias 0</b>	200.200.46.1	<b>Netmask</b>	255.255.255.0
<b>Campus GW</b>	200.200.46.200			
<b>OSPFv3 router id</b>	10.205.0.46			

Network Topology for SOI Asia Server Lab ( 3 April 2008)



<b>Participant ID</b>	46		
<b>Your Machine</b>	Server-46		
<b>Hostname</b>	ow2008-soi-46.ai3.net		
<b>eth0 interface</b>	<b>IPv6 Address</b>	2001:d30:3EE:1b::46	<b>Prefix Len</b> 64
	<b>IPv4 Address</b>	10.200.11.46	<b>Netmask</b> 255.255.255.0
<b>Gateway IPv6(RR_)</b>	2001:d30:3EE:1b::1		