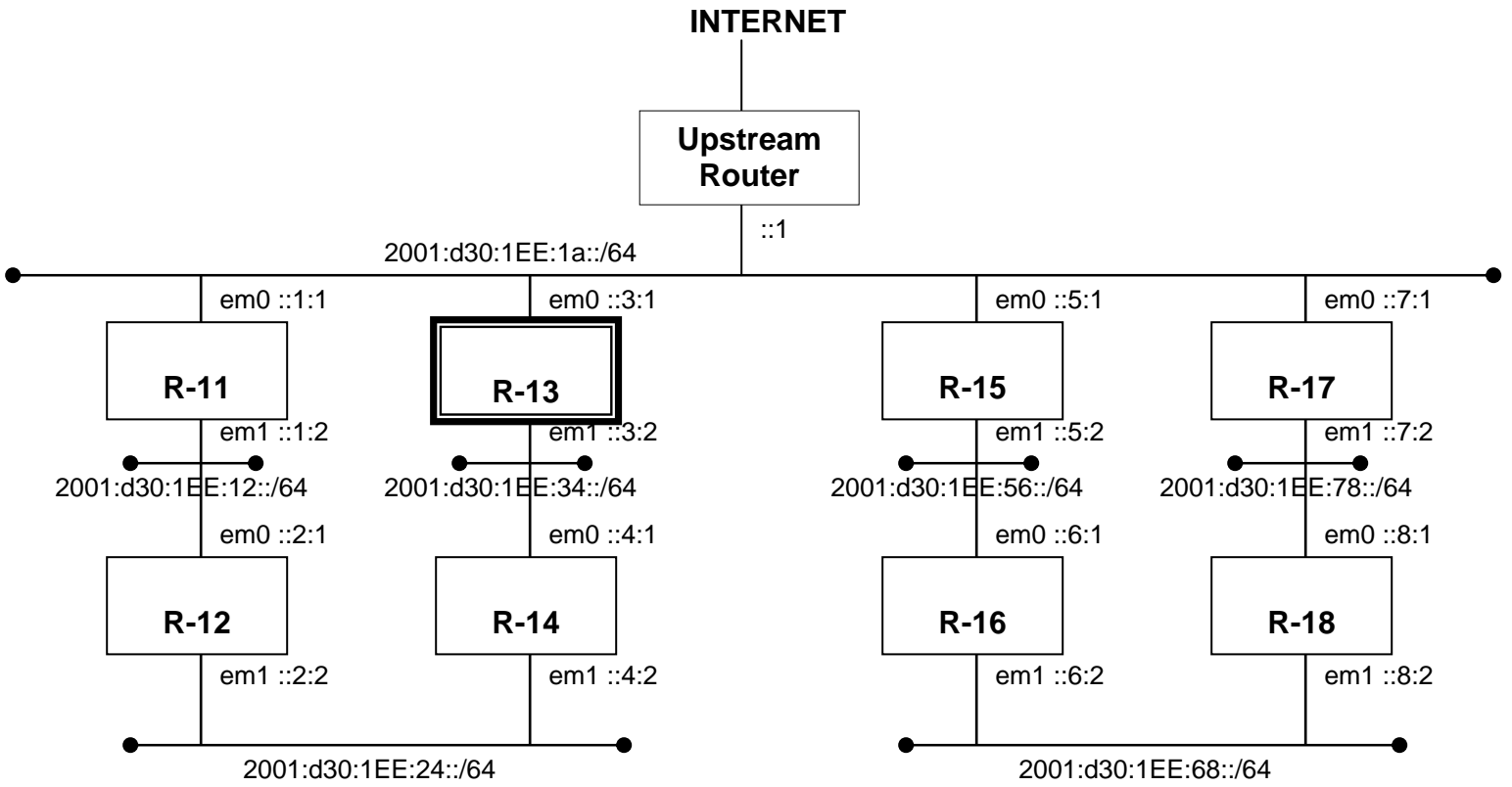


SOI Asia Operator Workshop 2008

Information for lab exercise

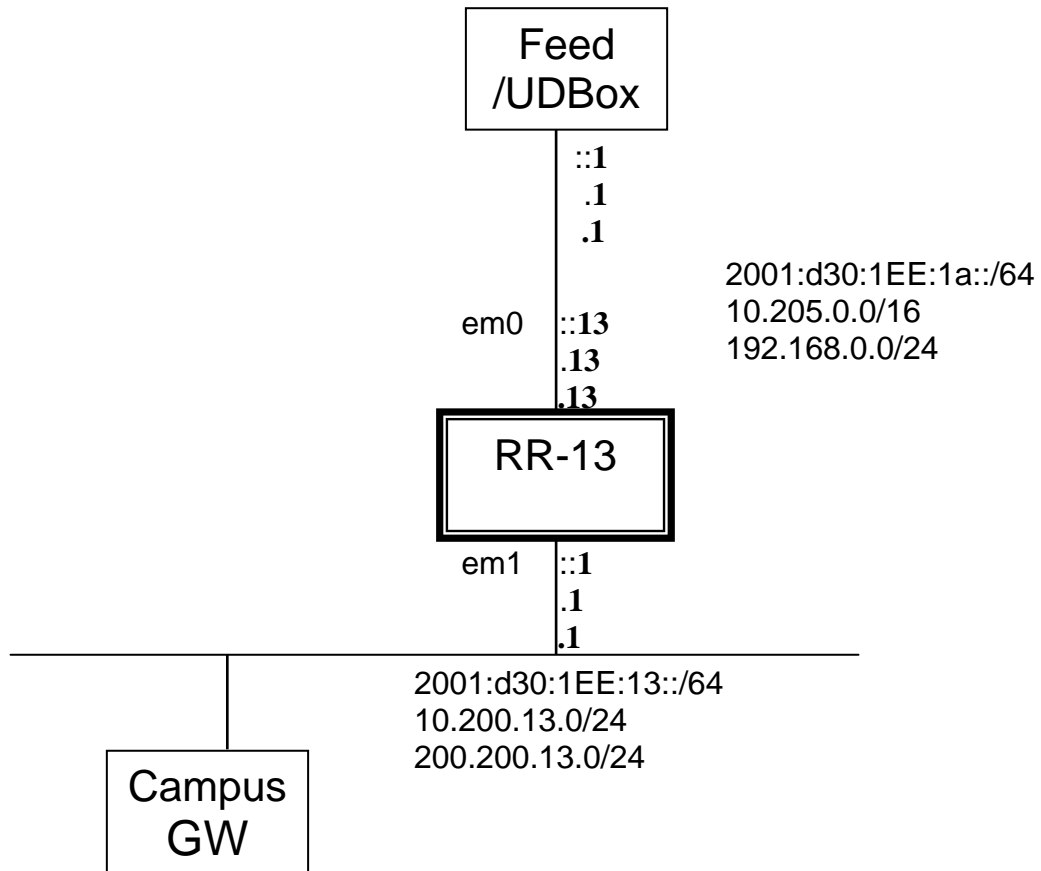
Participant name	Ei Ei Pe Myint/UCSY
Participant ID	13
Group Number	1
STARBED gate Login information	Hostname: starbed-gate.ai3.net IPv6 address: 2001:200:142:0:211:25ff:fe1e:5c33 Username: soi13 Password: E4bp
LAB host Login information	Hostname: starbed-13 Username: soi Password : soiasia
IRC channel for General discussion	#soi-asia
IRC channel for Group discussion	#soi-ws-group1
Workshop URL	http://www.soi.wide.ad.jp/soi-asia/ow/2008-spring/
LivePresenter URL	http://sfc-cpu.ai3.net/~husni/LivePresenter/index.php
LiveTTY URL	http://sfc-ws2008.ai3.net/livetty
Progress Tracking URL	http://sfc-ws2008.ai3.net/ws2008/

Network Topology for IPv6 Internetworking Lab (31 March – 1 April, 2008)



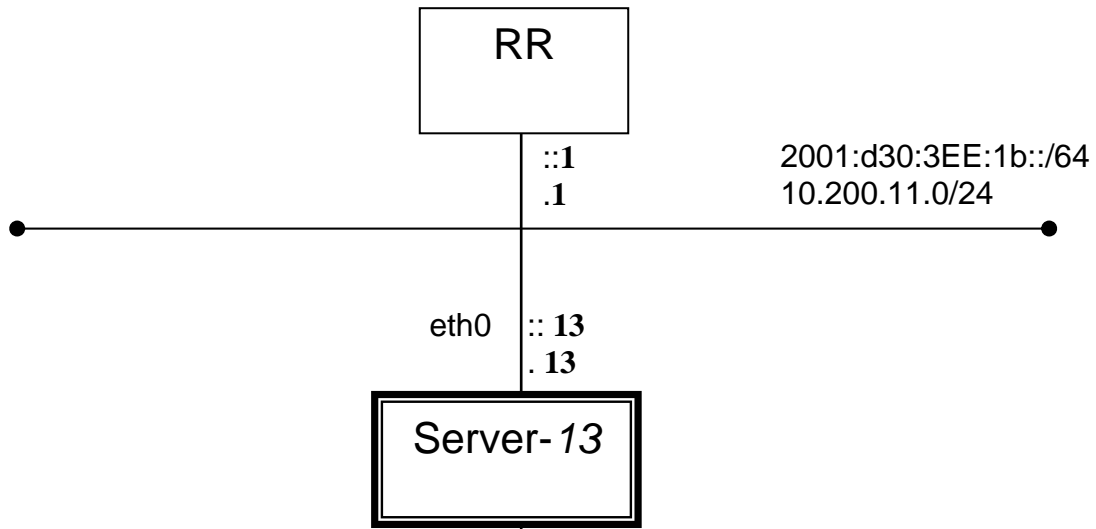
Participant ID	13			
Your Machine	R-13			
em0 interface	IPv6 Address	2001:d30:1EE:1a::3:1	Prefix Len	64
em1 interface	IPv6 Address	2001:d30:1EE:34::3:2	Prefix Len	64
OSPFv3 router id	10.205.0.13			

Network Topology for SOI Asia Network Lab (2 April 2008)



Participant ID	13			
Your Machine	RR-13			
Hostname	13-rr.ai3.net			
em0 interface	IPv6 Address	2001:d30:1EE:1a::13	Prefix Len	64
	IPv4 Address	10.205.0.13	Netmask	255.255.0.0
	IPv4 Address Alias0	192.168.0.13	Netmask	255.255.255.0
em1 interface	IPv6 Address	2001:d30:1EE:13::1	Prefix Len	64
	IPv4 Address	10.200.13.1	Netmask	255.255.255.0
	IPv4 Address Alias 0	200.200.13.1	Netmask	255.255.255.0
Campus GW	200.200.13.200			
OSPFv3 router id	10.205.0.13			

Network Topology for SOI Asia Server Lab (3 April 2008)



Participant ID	13		
Your Machine	Server-13		
Hostname	ow2008-soi-13.ai3.net		
eth0 interface	IPv6 Address	2001:d30:3EE:1b::13	Prefix Len 64
	IPv4 Address	10.200.11.13	Netmask 255.255.255.0
Gateway IPv6(RR_)	2001:d30:3EE:1b::1		