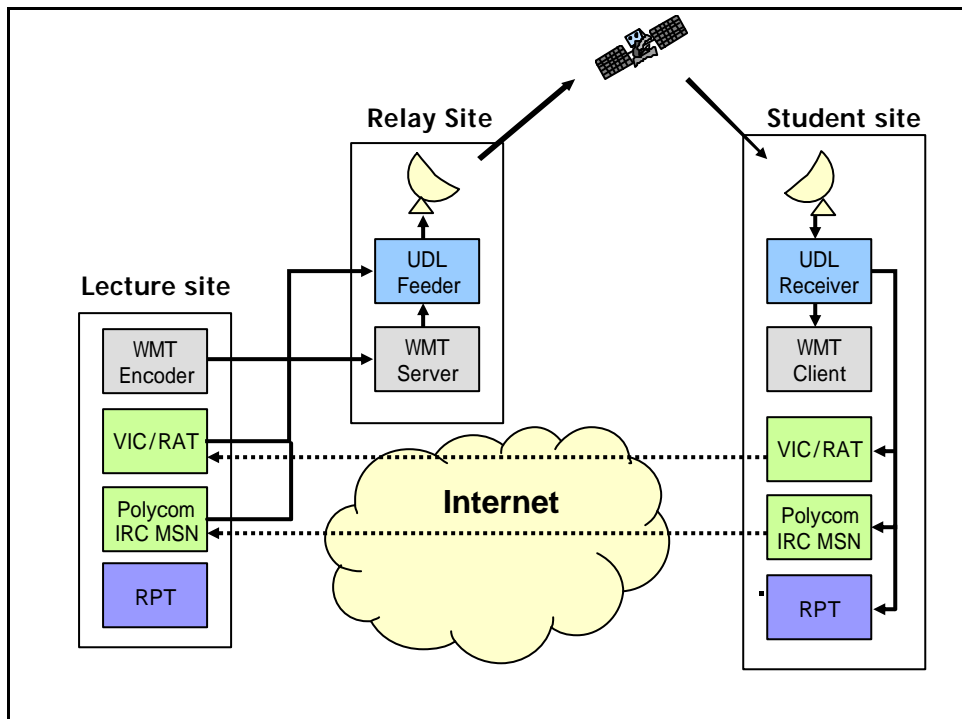


# Realtime Lecture Applications

SOI ASIA Operators Workshop  
2003 Spring

Shoko Mikawa [funya@sfc.wide.ad.jp](mailto:funya@sfc.wide.ad.jp)



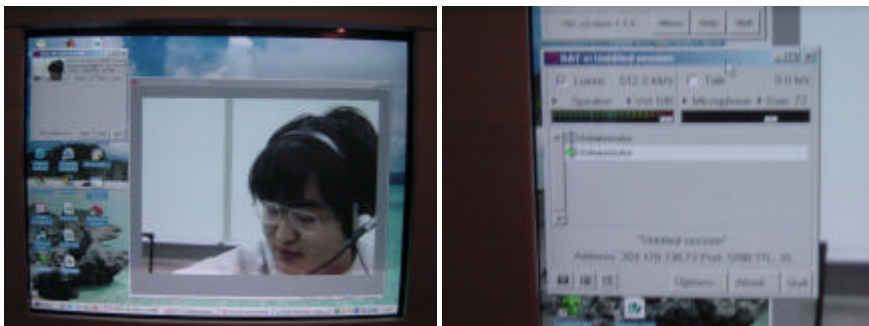
# Windows Media Player

- High quality video & audio
- No need for terrestrial Internet connection



# VIC/RAT

- Video Conferencing Tool
- Robust Audio Tool
- Need for terrestrial Internet connection



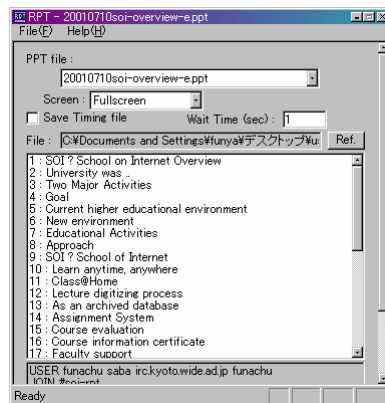
# Polycom

- Polycom View Station
- Video conferencing Hardware
- Maximum to 4 sites
- Stable but expensive :p



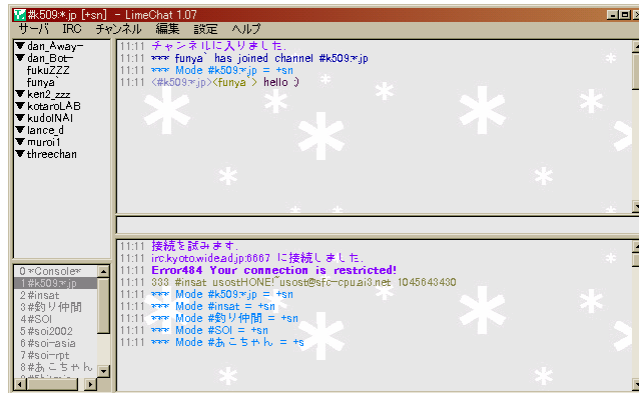
# RPT

- PowerPoint timing synchronization tool



# Internet Relay Chat

- Staff communication
- Or MSN Messenger, Yahoo Messenger



# Real-time Class Operations

- Student Site Interaction Type
  - Full interaction – 1
    - VIC/RAT , RPT, Polycom, BBS
  - Semi interaction – 4
    - WMT, RPT, Polycom/Netmeeting, BBS
  - Text-based interaction – 1
    - WMT, MSN, BBS
  - Email only interaction – 1
    - WMT and EMAIL



## Chulalongkorn University (Thailand)

Name	Chulalongkorn University (Thailand)
Counter Part	Computer Science Department
Internet Connectivity	Semi Interaction site 10Mbps Stable network using local ISP
Lecture Environment	<ul style="list-style-type: none"> <li>• Using VIC(500kbps)/RAT for video/audio transmission from Japan. No delay.</li> <li>• Using polycom for video/ audio transmission from Chula.</li> <li>• Realtime question and answer session is possible.</li> <li>• 3 screens. PPT, realtime video using VIC. Chula's video using Polycom</li> <li>• PowerPoint is distributed to Thailand and will be synchronized using RPT. Chula participants can see the move of the mouse, too.</li> <li>• Printed out version of the PPT is also available</li> </ul>
Mailing List	<a href="mailto:soi-asia-chula@soi.wide.ad.jp">soi-asia-chula@soi.wide.ad.jp</a>



## University of Computer Studies, Yangon (Myanmar)

Name	University of Computer Studies, Yangon (Myanmar)
Counterpart	Whole University
Internet Connectivity	E-mail only interaction site -> Full Interaction site No terrestrial network. -> Leased line (128kbps)
Lecture Environment	<ul style="list-style-type: none"> <li>• Sending video/audio with WMT (500kbps) from Japan. 10-15 sec delay using WMT Encoder server</li> <li>• Use BBS to get questions from Myanmar. Use WMT to answer the question</li> <li>• 1 screen</li> </ul>
Mailing List	<a href="mailto:soi-asia-myanmar@soi.wide.ad.jp">soi-asia-myanmar@soi.wide.ad.jp</a>





## National University of Laos (Laos)

Name	Laos National University (Laos)
Counterpart	Computer Science
Internet Connectivity	Text based interaction Site 128kbps
Lecture Environment	<ul style="list-style-type: none"> <li>• Sending video/audio using WMT (500kbps ) from Japan. 10-15 delay through WMT Encoder Server.</li> <li>• Use dial up line to communicate with Japan using chat, and transmit video/audio from Japan to answer questions.</li> </ul>
Mailing List	<a href="mailto:soi-asia-laos@soi.wide.ad.jp">soi-asia-laos@soi.wide.ad.jp</a>



## Brawijaya University (Indonesia)

Name	Brawijaya University (Indonesia)
Counterpart	Whole University
Internet Connectivity	Semi Interaction site 256kbps leased line Not good enough since it is used by the whole campus.
Lecture Environment	<ul style="list-style-type: none"> <li>• Transmit video/audio using VIC/RAT from Japan.</li> <li>• Transmit video/audio using Netmeeting from Brawijaya</li> <li>• Realtime bi-directional question and answer session</li> <li>• Printed out version of the PPT</li> <li>• PowerPoint is distributed to Brawijaya and will be synchronized using RPT. Brawijaya participants can see the move of the mouse, too.</li> </ul>
Mailing List	<a href="mailto:soi-asia-brawijaya@soi.wide.ad.jp">soi-asia-brawijaya@soi.wide.ad.jp</a>





## Sam Ratulangi University (Indonesia)

Name	Sam Ratulangi University (Indonesia)
Counterpart	Whole University
Internet connectivity	Full Interactive Site
	256kbps leased line Good quality since the network is used only by one building.
Lecture Environment	<ul style="list-style-type: none"> <li>• Transmit video/audio using VIC/RAT from Japan</li> <li>• Realtime question and answer session using Polycom</li> <li>• PowerPoint is distributed to Sam Ratulangi and will be synchronized using RPT. Sam Ratulangi participants can see the move of the mouse, too.</li> <li>• Printed out version of the PPT is also available</li> </ul>
Mailing List	<a href="mailto:soi-asia-unsrat@soi.wide.ad.jp">soi-asia-unsrat@soi.wide.ad.jp</a>



## Hasanuddin University (Indonesia)

Name	Hasanuddin University (Indonesia)
Counterpart	Center for Public Policy and Development Management Studies
Internet connectivity	Text based interaction site
	56kbps Dial up Network using modem. Not stable.
Lecture Environment	<ul style="list-style-type: none"> <li>• Transmit video/audio using WMT from Japan</li> <li>• Transmit video/audio using Netmeeting from Hasanuddin</li> <li>• Bi-directional realtime question and answer session is possible</li> <li>• PowerPoint is distributed to Hasanuddin and will be synchronized using RPT. Hasanuddin participants can see the move of the mouse, too.</li> <li>• Printed out version of the PPT is available</li> </ul>
Mailing List	<a href="mailto:soi-asia-unhas@soi.wide.ad.jp">soi-asia-unhas@soi.wide.ad.jp</a>





## AYF/JAD (Malaysia)

Name	AYF/JAD
Counterpart	Whole Organization
Internet connectivity	Full Interaction Site
	2Mbps Stable connection to the local ISP
Lecture Environment	<ul style="list-style-type: none"> <li>• Audio and Video using WMT stream (500kbps) from Japan. 30 seconds to 1 minute delay because of Encoding and Decoding time and network delay.</li> <li>• Real time question and answer session using Polycom</li> <li>• Power Point material is sent to AYF beforehand and the timing of the material change is shared through the network.</li> <li>• Printed out version of lecture material is also available.</li> </ul>
Mailing List	<a href="mailto:soi-asia-ayf@soi.wide.ad.jp">soi-asia-ayf@soi.wide.ad.jp</a>



## Asian Institute of Technology (Thailand)

Name	Asian Institute of Technology (Thailand)
Counterpart	Computer Science Department
Internet connectivity	Full interaction Site
	500kbps Stable network using Ku-band connected to NAIST
Lecture Environment	<ul style="list-style-type: none"> <li>• Transmit video/audio using WMT from Japan</li> <li>• Transmit video/audio using Polycom/Netmeeting from AIT</li> <li>• Bi-directional Realtime question and answer session is available</li> <li>• PowerPoint is distributed to AIT and will be synchronized using RPT. AIT participants can see the move of the mouse, too.</li> <li>• Printed out version of the PPT is also available</li> <li>• Network environment is the best in AIT, because it is the A13 partner and has a dedicated satellite network to Japan.</li> </ul>
Mailing List	<a href="mailto:soi-asia-ait@soi.wide.ad.jp">soi-asia-ait@soi.wide.ad.jp</a>







Please let us know ...

- The whole audio/video configuration at your site
- The cable type of the mic and speaker
- The kind of PC you are using
  
- Can you install the standard configuration?